

TTPCard

Thermal transfer printer



TTPCard
User manual

Warnings

- Read this manual carefully before using TTPCard.
- Do not operate TTPCard without the lid in place.
- Keep hands away from moving parts during operation.
- Disconnect TTPCard from the power supply prior to maintenance operations.
- Use TTPCard on a stable surface.
- As much as possible, avoid the ingress of environmental contamination, eg dust, into TTPCard.
- Always fit the protective cover when TTPCard is not in use, particularly in a dusty environment.
- Do not insert sharp, hard or pointed objects (e.g. screwdrivers, rulers or knives) into the front aperture of TTPCard, otherwise the print head may be irrevocably damaged.
- Ensure all parts of the support templates are undamaged and kept clean and free of print and other residue.
- Ensure the carriage is kept clean and closed when TTPCard is not in use.
- Do not attempt to change the composition, height or thickness of the support templates as this may block TTPCard or Irrevocably damage the print head.
- Prior to printing, ensure the appropriate template is being used and the material is located correctly so that it does not hinder the operation of TTPCard.
- Handle sheets of media with care and avoid touching the printable surface with the fingers.
- Before printing, check the printable surface is free of contamination, eg dirt, dust or grease and if necessary clean using a soft cloth.
- Keep unused or partially used sheets of media in the original packaging and in a dry, clean place.
- When printing partially used sheets, ensure there are no protruding sprues, burrs along the sheared edges or tags bent upwards, which may damage the print head.
- When printing partially used sheets, ensure the Jump function is used correctly to avoid printing nonexistent media, contaminating the support template and possibly causing irrevocable damage to the print head.
- Use only genuine CONTA-CLIP media, printer ribbons, spare parts and cleaning kits with TTPCard.
- We recommend cleaning the print head at each ribbon replacement, using only the CONTA-CLIP CLEANING KIT.

1.0 General Characteristics

TTPCard has been exclusively designed by CONTA-CLIP for the identification of conductors and electrical components. TTPCard is a high resolution printer based on thermal transfer technology, capable of producing markers for cables and terminal blocks, legends for pushbuttons and all electrical panel components. All CONTA-CLIP media can be printed with Windows True Type fonts in black or colours at high speed. TTPCard will also reproduce Clipart images, drawings, barcodes and bitmaps down to very small sizes. Compact, ergonomic, clean and quiet TTPCard may be conveniently located in an office, like any other peripheral. Each monochrome ribbon can print more than 300.000 PC-TPMF 4x10 mm cable tags with full printable surface coverage, while printing times, costs and ribbon life may be further improved due to the ribbon optimisation system, depending on the type of material being printed. Carriage loading and unloading operations are rapid; support templates are easily interchanged and as the pigment deposited from the ribbon dries instantaneously, printed sheets are immediately ready to use.

The TTPCard (28000.0) package contains:

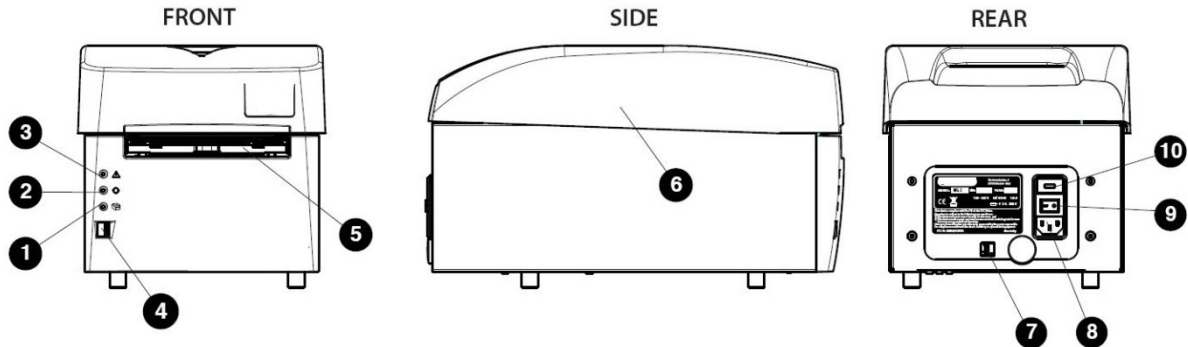
1. TTPCard Plug & Play thermal transfer printer
2. Three inlays (28020.0, 28041.0 and 28042.0)
3. Power supply cable
4. USB cable
5. CD with CONTASign Pro software
6. Protective cover
7. Black printer ribbon
8. Ribbon take up spool

2.0 Technical specification

- Printing mode: thermal transfer
- Supply voltage: 100 - 240 V 50-60 Hz
- Operating current: 1.6 A
- Printing speed: 9 seconds per full sheet
- Maximum resolution: 300x600 DPI
- Connection: USB 1.1
- Operating temperature: + 15° to + 35° C
- Relative humidity: 30% to 80% without condensation
- Size: length 382 mm, width 230 mm, height 221 mm
- Weight: 9,6 kg
- Printable surface: maximum width 110 mm - maximum length 140 mm
- Minimum system requirements:
 - PC with dual Core processor or equivalent
 - 2 Gb RAM memory
 - 2 Gb of available space on the hard disc
 - 1280x1024 SVGA monitor resolution.
 - Windows XP SP3, VISTA, 7 and 8 operating systems.
- Printer ribbon: Internal diameter 28 mm - External diameter 53 mm - Width 120 mm

3.0 Discription

Layout:



- 1 - Green LED: power on.
- 2 - Yellow LED: printing cycle.
- 3 - Orange LED: error signal (see section 7).
- 4 - Green button: opening/closing carriage.
- 5 - Carriage.
- 6 - Lid.
- 7 - USB socket.
- 8 - Power supply socket.
- 9 - Power ON/OFF switch.
- 10 - Compartment with 2A phase and neutral protection fuses.

4.0 Initial set up

Carry out the following procedure step by step:

4.1 Connect the cables

- Connect the USB cable between the PC and the USB socket (7) on the rear of TTPCard.
- Check the supply voltage is correct then connect the power supply cable between socket (8) on the rear of TTPCard.
- Must be an EARTHED mains power supply.
- The electrical socket of power supply cable must be easily accessible.

4.2 Switch the machine ON

- Operate the ON/OFF switch (9) on the rear of TTPCard to commence the start-up cycle. When the green LED (1) lights up, TTPCard is ready for use.
- Do not press the green button (4) before the green LED lights up. If this happens restart TTPCard (See section 7).

4.3 Install the GENIUSPRO operating software

- The "CONTASign Pro" CD provided with TTPCard contains the driver and operating software required. .

4.4 Open/close the carriage

- Press the green button (4) on the front of TTPCard to open the carriage. Press the button again to close the carriage.
- Ensure there is sufficient space in front of TTPCard to allow the carriage to open completely.
- Do not interfere with the carriage during opening and closing operations.

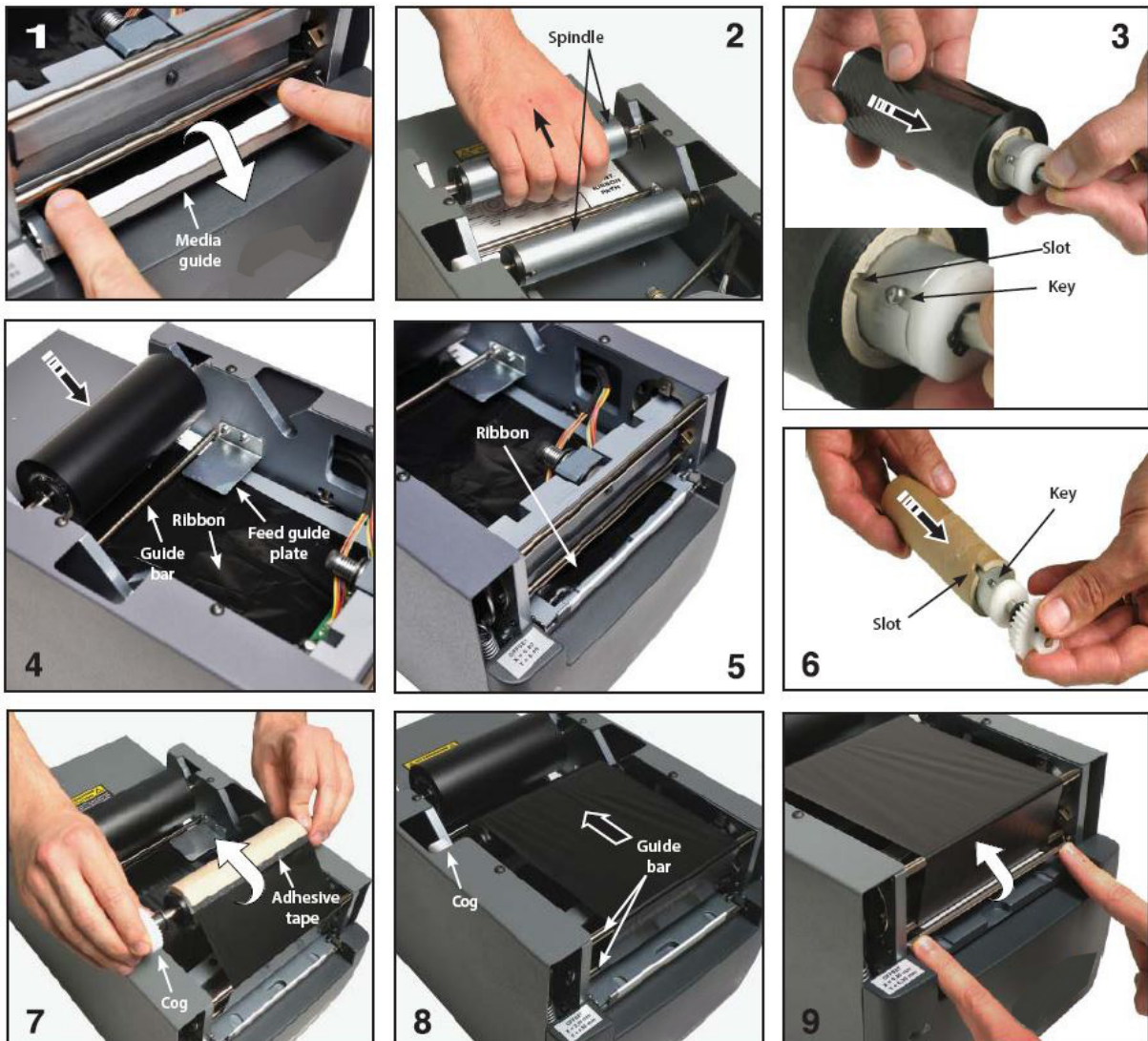
4.5 Install the printer ribbon

Remove the lid, then:

1. Rotate the media guide completely downwards.
2. Extract both feed (rear) and take up (front) spindles by carefully pulling them upwards.
3. Fit the printer ribbon on to the feed spindle (rear), locating the slot in the ribbon spool fully on to the key on the spindle. When viewed from the front of TTPCard, the key should be on the right hand side with the lead of the ribbon underneath, facing forward.
4. Relocate the loaded feed spindle firmly into its seatings in TTPCard. Unroll sufficient ribbon to pass under the rear guide bar and guide plate and over the template.
5. Continue unrolling the ribbon until it has passed under the front lower guide bar and is protruding through the carriage aperture.
6. Fit the ribbon take up spool provided with TTPCard onto the take up spindle (front), locating the slot in the spool fully on to the key on the spindle.
7. Using the carriage/template as a convenient base, position the take up spool at the end of the protruding printer ribbon such that the white cog is on the left hand side (viewed from the front). Ensure the ribbon is square to the spool and attach the end of it to the spool with adhesive tape. Carefully and accurately wind a few turns of ribbon around the spool.
8. While carefully pulling ribbon through TTPCard, relocate the loaded take up spindle into its seatings in TTPCard. Ensure the ribbon is correctly aligned on the front guide bars, without tears, folds or creases.
9. Rotate the media guide completely upwards, then replace the lid.

Do not operate TTPCard without the lid in place.

We recommend cleaning the print head at each ribbon replacement, using only the CONTA-CLIP 28043.0 CLEANING KIT following the procedure in section 5.1

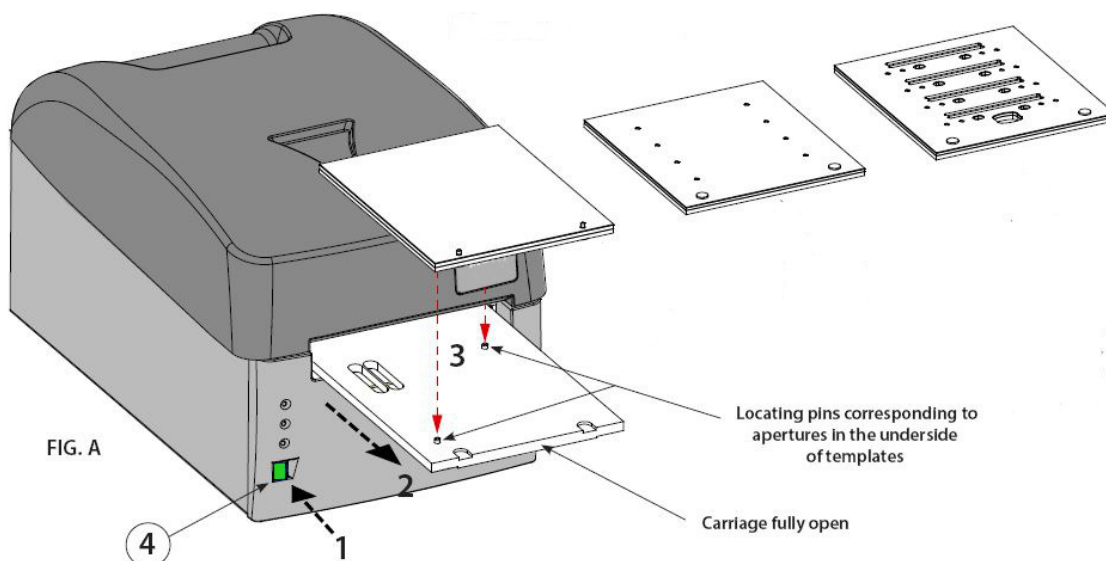


4.6 Mount the support templates

Different templates are supplied with TTPCard suit the range of printable materials. Proceed as follows:

- Select the template appropriate to the medium to be printed according to the table alongside.
- Press the green button (4) to open the carriage.
- Carefully position the template on the carriage, locating it correctly on the pins provided. Positioning is identical for all versions of template (See FIG. A)
- Correctly locate on the template, a sheet of the medium to be printed (See section 4.7).

Umschreibung	Best.-Nr.	Type
Inlay for PC-SB3,5	28366.0	CCI-PC-SB3,5
Inlay for PC-SB5	28020.0	CCI-PC-SB5
Inlay for PC-BSTR 5x10 MI	28367.0	CCI-PC-BSTR5x10-MI
Inlay for PC-BSTR 5x10	28362.0	CCI-PC-BSTR5x10
Inlay for PC-BSTR 5x12	28361.0	CCI-PC-BSTR5x12
Inlay for PC-SB6	28359.0	CCI-PC-SB6
Inlay for PC-BSTR 6x12	28360.0	CCI-PC-BSTR6x12
Inlay for PC-SB8	28363.0	CCI-PC-SB8
Inlay for PC-BSTR 8x12	28364.0	CCI-PC-BSTR8x12
Inlay for PC-BSTR 10x12	28365.0	CCI-PC-BSTR10x12
Inlay for PC-CPM-01	28023.0	CCI-PC-CPM-01
Inlay for PC-CPM-05,-12	28024.0	CCI-PC-CPM-05/12
Inlay for PC-CPM-06	28025.0	CCI-PC-CPM-06
Inlay for PC-CPM-09	28026.0	CCI-PC-CPM-09
Inlay for PC-CPM-10	28027.0	CCI-PC-CPM-10
Inlay for PC-CPM-13	28028.0	CCI-PC-CPM-13
Inlay for PC-SPM-02	28029.0	CCI-PC-SPM-02
Inlay for PC-TPM	28040.0	CCI-PC-TPM
Inlay for all flat labels	28041.0	CCI-PC/PVC/PVCF
Inlay for PC-CPM-01;-02;-03;-04;-07;-11 and PC-SPM-03	28042.0	CCI-PC-CPM/SPM
Inlay for PC-TDM (4x12 mm)	28021.0	CCI-PC-TDM
Inlay for PC-TDM (4x16 mm); PC-TDMO	28022.0	CCI-PC-TDMO



Support templates each have a protective PET blank on their upper side. If this needs to be replaced due to contamination, damage or wear, use only CONTA-CLIP spare parts. Do not use a template without its protective blank.

4.7 Load media sheets for printing

A sheet of media comprises a number of identical moulded or die-cut blanks. Available in a variety of sizes, materials and colours to suit all applications, the range of media is shown in the CONTA-CLIP TTPCard catalogue.

4.7.1 Position media sheets on the CCI-PC/PVC/PVCF support template

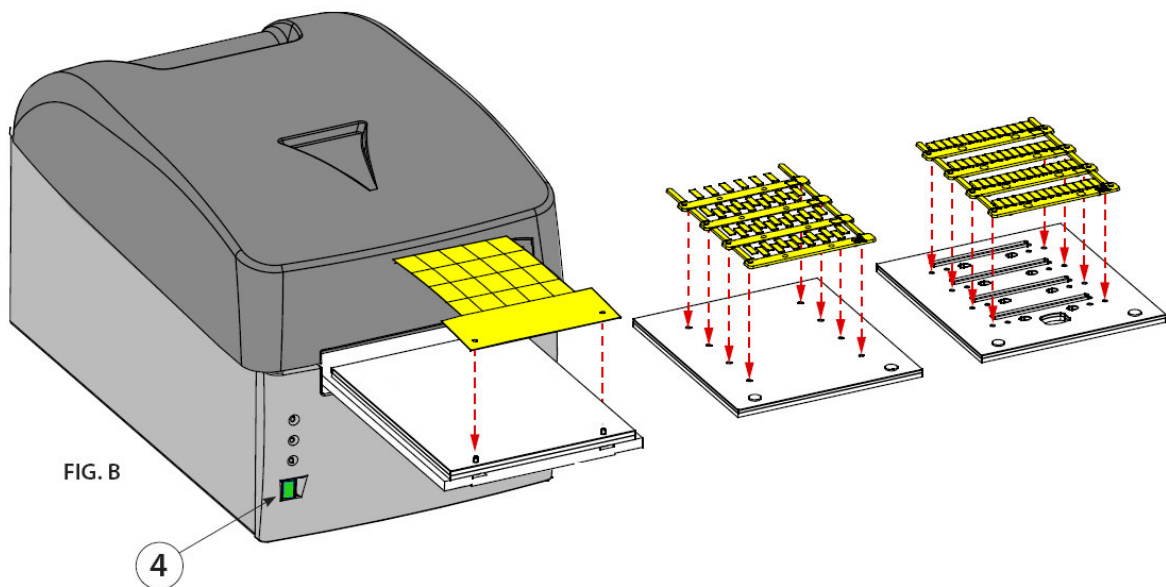
All die-cut sheets of flat media are printed on the CCI-PC/PVC/PVCF template and have two holes to locate on pins mounted on the template:

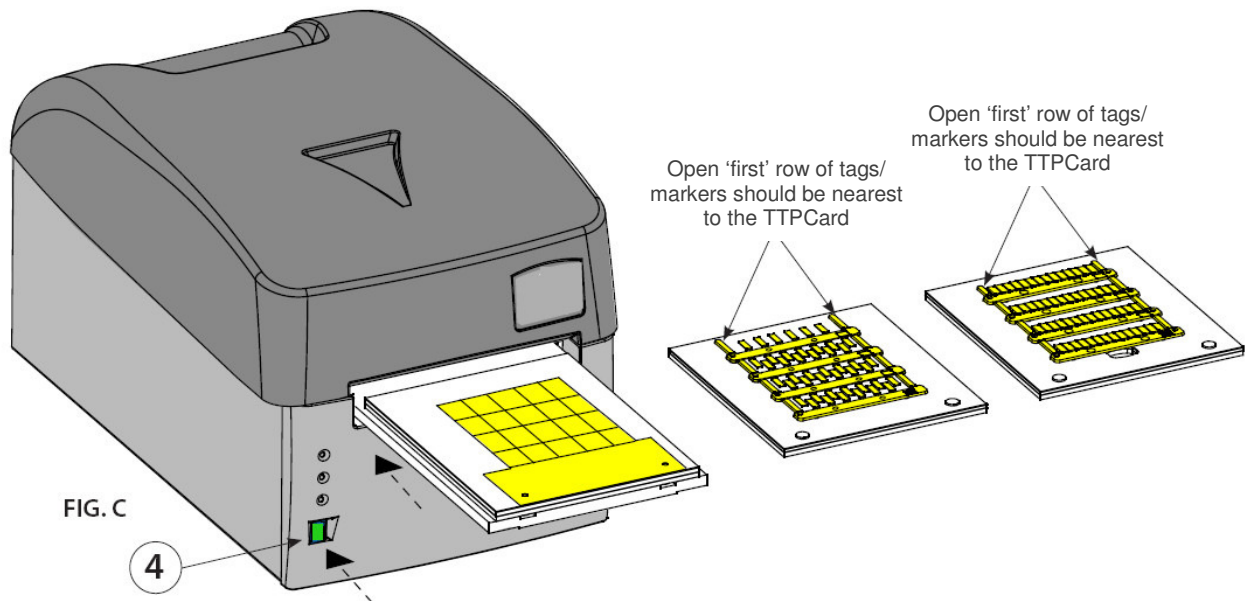
- Press the green button (4) to open the carriage already fitted with the template (See section 4.6).
- Position the sheet by hand, fitting its holes fully over the corresponding locating pins on the template; the side to be printed must face upwards (See FIG. B and C).
- Once loaded, the sheet must be flat, square, clean and without protrusions, bends or kinks; this allows correct positioning of the print head during the printing cycle.

4.7.2 Position media sheets on the CCI-PC-TPM, CCI-PC-TDM, CCI-PC-CPM/SPM, CCI-PC-CPM-09, CCI-PC-CPM-05/12, CCI-PC-CPM-06, CCI-PC-CPM-10, CCI-PC-CPM-01, CCI-PC-CPM-13 templates

To position the card for cable marking or cards for terminals marking the following must be observed:

- Press the green button (4) to open the carriage already equipped with the template (See section 4.6).
- Position the sheet by hand such that the open 'first' row of tags/markers is nearest to TTPCard with the locating lugs on the underside of the sheet inserted fully into the corresponding holes in the template (See FIGS. B and C). Once loaded, the sheet must be flat, square, clean and without protrusions, lifted or bent components; this allows correct positioning of the print head during the printing cycle.





4.8 Printing cycle

- Ensure there is a genuine printable medium correctly positioned on the template then: Set the data in the program, proceed via Print Setup to Print Preview (Consult user manual) then press F6 to start the printing cycle; the carriage will close then gradually open again automatically, until it stops fully open at the end of the cycle, with the sheet printed.
- Remove printed sheet and continue loading/print preview/printing cycle.

For the best printing results, we recommend:

- Using only genuine CONTA-CLIP materials (media, printer ribbons, spares and cleaning kits).
- Handling blank media sheets carefully to avoid touching the print surface with the fingers.
- Before printing, always check the cleanliness of the sheets. If necessary wipe the surface with a soft cloth.
- Keeping new or partially used sheets clean and dry, eg in their original packaging.
- When printing partially used sheets, ensure there are no protruding sprues, burrs along the sheared edges or tags bent upwards which may damage the print head.
- When printing partially used sheets, ensure the Jump function is used correctly to avoid printing non-existent media, contaminating the support template and possibly causing irrevocable damage to the print head.

5.0 Maintenance

5.1 Clean the print head (recommended at each ribbon replacement)

Using only a genuine TTPCard CLEANING KIT (28043.0), proceed as follows:

- Switch the TTPCard OFF.
- Switch the TTPCard ON and press the green button (4) for less than 6 seconds until the yellow LED (2) starts blinking.
- Release the green button. The yellow and orange LEDs blink while the green LED remains lit and the carriage (5) remains open. The TTPCard is then in 'Cleaning mode'.

- Remove the current printing template.
- Attach a new cleaning pad to the cleaning template and spray cleaning fluid across its full width. Correctly locate the template on the carriage.
- Press the green button to start the cleaning cycle.
- At the completion of the cleaning cycle the carriage will stay open and the TTPCard in 'Cleaning mode' should it be necessary to repeat the cleaning cycle.
- To exit from 'Cleaning mode', switch the TTPCard OFF, then ON again after a few seconds. Remove the cleaning template, detach and discard the used cleaning pad then store the components of the cleaning kit in their original packaging in a dust free, dry environment.

Do not re-use cleaning pads, sets of 5 spare pads are available, order part code 28044.0.

WARNING: Use only genuine CONTA-CLIP cleaning materials and methods with the TTPCard. The use of any other materials or methods may cause irrevocable damage to the print head and/or void any remaining warranty.

5.2 Routine cleaning

Keep internal and particularly moving parts free from dust by wiping with a soft cloth. To remove stains or residue from external metal and plastic parts, use a soft cloth just dampened with a neutral detergent. Remove grease, print and adhesive residue from templates with alcohol cleaner and a clean, soft cloth.

Do not allow fluids to come into contact with electrical parts or the ribbon or to remain on moving parts. Wipe up all spills.

As much as possible, avoid the ingress of environmental contamination, eg dust, into the TTPCard. Fit the protective cover when not in use.

5.3 Replace fuses

The TTPCard electrical circuits are protected against overcurrent by two 2A phase and neutral fuses in compartment (10) located at the back of the TTPCard. Replacement fuses must have exactly the same characteristics as the ones replaced. Disconnect the TTPCard from the mains supply before opening fuse compartment (10). Ensure fuses and compartment are correctly relocated before reconnecting the mains supply.

6.0 Warranty

The TTPCard is guaranteed for one year against inherent faults and defects. The print head is classed as a consumable and not covered by the guarantee. The guarantee is void if parts used are not CONTA-CLIP original ones.

7.0 Troubleshooting

The TTPCard is equipped with self-diagnostics which notify the user in the event of certain 'fault' situations by means of a combination of flashing LEDs and an audible alarm.

Alarm indications:



GREEN LED (1): remains lit when the TTPCard is ON and ready for use.
This LED blinks when the print head malfunctions or is disconnected or damaged.



YELLOW LED (2): blinks during the print cycle process with the relative movement of the carriage.



ORANGE LED (3): mainly signals TTPCard errors or failures, the nature of which are identified by the number of LED blinks and audible beeps, as follows:

N° OF BLINKS / BEEPS	FAULT DESCRIPTION	POSSIBLE SOLUTION
1	Printer ribbon not present	Check condition of the ribbon and that it threaded correctly. Switch TTPCard OFF and then ON again after a few seconds.
3	Print head not lowered	Switch TTPCard OFF and then ON again after a few seconds. Press the BLUE button (4) to move the carriage and ensure it is operating correctly.
4	Print head not raised	Switch TTPCard OFF and then ON again after a few seconds. Press the BLUE button (4) to move the carriage and ensure it is operating correctly.
5	Carriage not in correct starting position or out of position	Switch TTPCard OFF and then ON again after a few seconds. Press the BLUE button (4) to move the carriage and ensure it is operating correctly. Remove any obstacles preventing full movement of the carriage.
6	Carriage not moving correctly or in wrong position	Switch TTPCard OFF and then ON again after a few seconds. Press the BLUE button (4) to move the carriage and ensure it is operating correctly.
8...11	System software or printer driver malfunction	Check the printer driver and system default settings are correct. Switch TTPCard OFF and then ON again after a few seconds
12.....	TTPCARD electronic controller malfunction	Switch TTPCard OFF and then ON again after a few seconds. If the problem persists please contact CONTA-CLIP,
15	RFID inlay / plate error	Check if the inlay type is correct. Deactivate plate / inlay control under the printer settings in CONTASign Pro, or contact CONTA-CLIP

Green button (4): authorised user only TEST mode, accessed by pressing green button (4) for more than 6 seconds during the initial start-up cycle, is indicated by the yellow and orange LEDs blinking simultaneously. Inadvertent access may be cancelled by switching the TTPCard OFF and then ON again after a few seconds.

8.0 TTPCard Accessoires

Description	PN.	Type
Inlay for PC-SB3,5	28366.0	CCI-PC-SB3,5
Inlay for PC-SB5	28020.0	CCI-PC-SB5
Inlay for PC-BSTR 5x10 MI	28367.0	CCI-PC-BSTR5x10-MI
Inlay for PC-BSTR 5x10	28362.0	CCI-PC-BSTR5x10
Inlay for PC-BSTR 5x12	28361.0	CCI-PC-BSTR5x12
Inlay for PC-SB6	28359.0	CCI-PC-SB6
Inlay for PC-BSTR 6x12	28360.0	CCI-PC-BSTR6x12
Inlay for PC-SB8	28363.0	CCI-PC-SB8
Inlay for PC-BSTR 8x12	28364.0	CCI-PC-BSTR8x12
Inlay for PC-BSTR 10x12	28365.0	CCI-PC-BSTR10x12
Inlay for PC-CPM-01	28023.0	CCI-PC-CPM-01
Inlay for PC-CPM-05,-12	28024.0	CCI-PC-CPM-05/12
Inlay for PC-CPM-06	28025.0	CCI-PC-CPM-06
Inlay for PC-CPM-09	28026.0	CCI-PC-CPM-09
Inlay for PC-CPM-10	28027.0	CCI-PC-CPM-10
Inlay for PC-CPM-13	28028.0	CCI-PC-CPM-13
Inlay for PC-SPM-02	28029.0	CCI-PC-SPM-02
Inlay for PC-TPM	28040.0	CCI-PC-TPM
Inlay for als flat markers	28041.0	CCI-PC/PVC/PVCF
Inlay PC-CPM-01;-02;-03;-04;-07;-11 and PC-SPM-03	28042.0	CCI-PC-CPM/SPM
Inlay for PC-TDM (4x12 mm)	28021.0	CCI-PC-TDM
Inlay for PC-TDM (4x16 mm); PC-TDMO	28022.0	CCI-PC-TDMO
Spacerplate of PET for CCI-PC-PTD	28030.0	DP-CCI-PC-PTD
Spacerplate of PET for CCI-PC-QTB	28031.0	DP-CCI-PC-QTB
Spacerplate of PET for CCI-PC-PWC	28032.0	DP-CCI-PC-PWC
Spacerplate of PET for CCI-PC-PLT	28033.0	DP-CCI-PC-PLT
Spacerplate of PET for CCI-PC-MTB	28034.0	DP-CCI-PC-MTB
Spacerplate of PET for CCI-PC-WTB	28035.0	DP-CCI-PC-WTB
Spacerplate of PET for CCI-PC-STB	28036.0	DP-CCI-PC-STB
Spacerplate of PET for CCI-PC-CTB	28037.0	DP-CCI-PC-CTB
Spacerplate of PET for CCI-PC-ETB	28038.0	DP-CCI-PC-ETB
Spacerplate of PET for CCI-PC-PSP	28039.0	DP-CCI-PC-PSP
TTPCard Transportcase	28002.0	TTPCard Transportkoffer
TTPCard Dustcover	28003.0	TTPCard Staubschutzhaube
Ribbon black	28010.4	Folie TTPCard BK
Ribbon bleu	28010.5	Folie TTPCard BU
Druckban red	28010.9	Folie TTPCard RD
Ribbon green	28010.1	Folie TTPCard GN
Sruckband silver	28010.0	Folie TTPCard SI
Ribbon wheite	28010.7	Folie TTPCard WH
Ribbon black Premium	28011.4	Folie TTPCard Premium BK
Empty ribbon rol TTPCard	28353.0	Folienrolle TTPCard leer
Empty ribbon rol TTPCard Premium	28354.0	Folienrolle TTPCard Premium leer
Cleaning kit (Plate+pads+Spray)	28043.0	Reinigungsset TTPCard
Replacement pads for cleaning kit (5 pcs.)	28044.0	Reinigungstuch TTPCard
Replacement spray for cleaning kit	28045.0	Reinigungsspray TTPCard